

Pastry Case

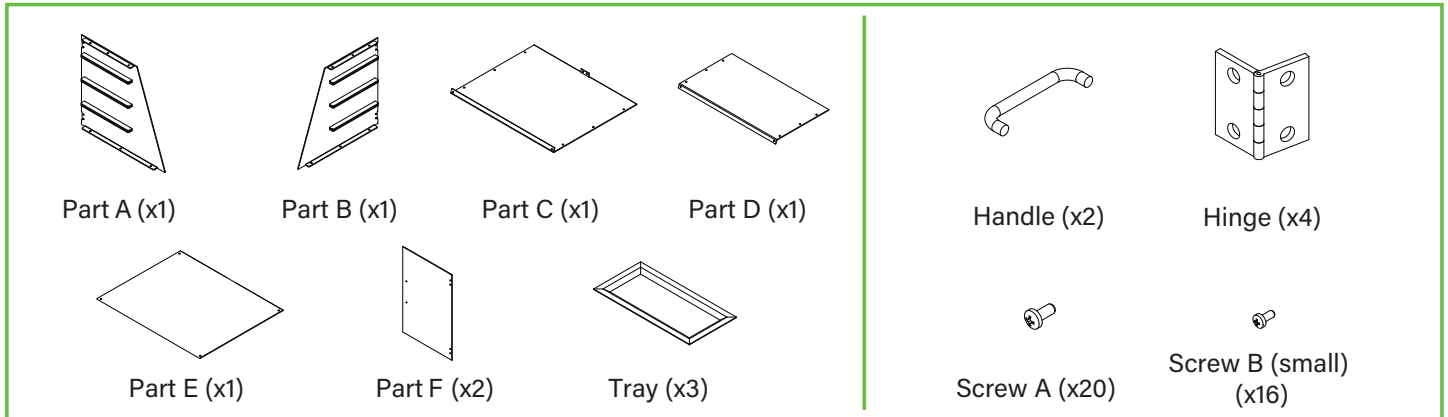
Assembly Instructions

How-to video available on
<https://bit.ly/Joymaney>

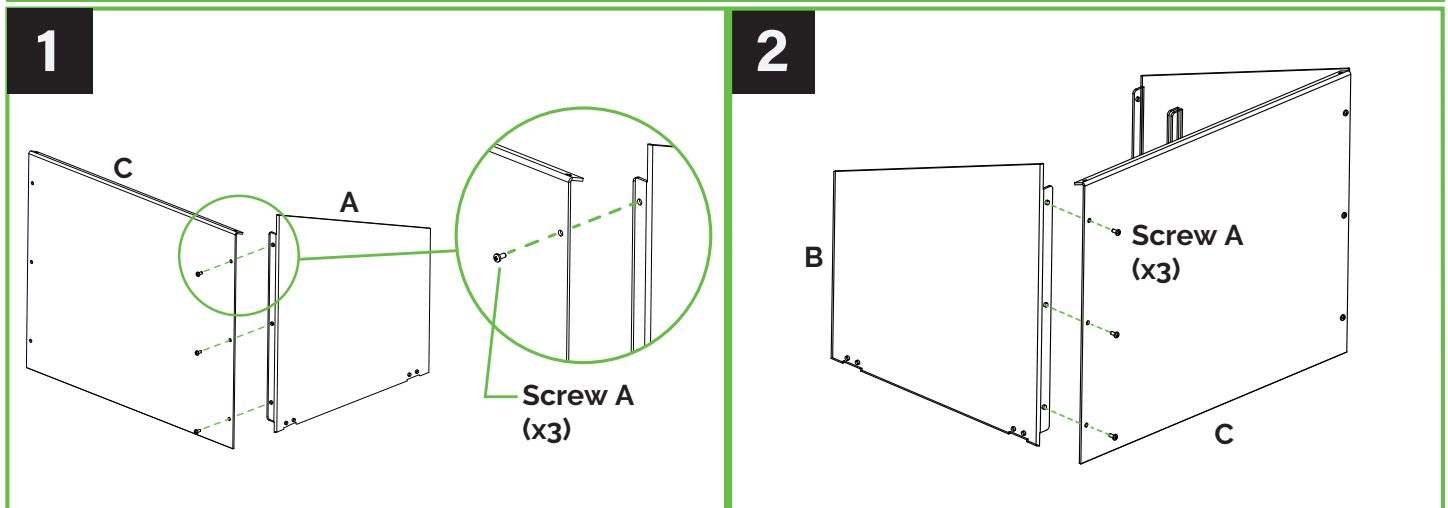
Any questions, please email
mike@joymaney.com

NowCooks

Product Contents

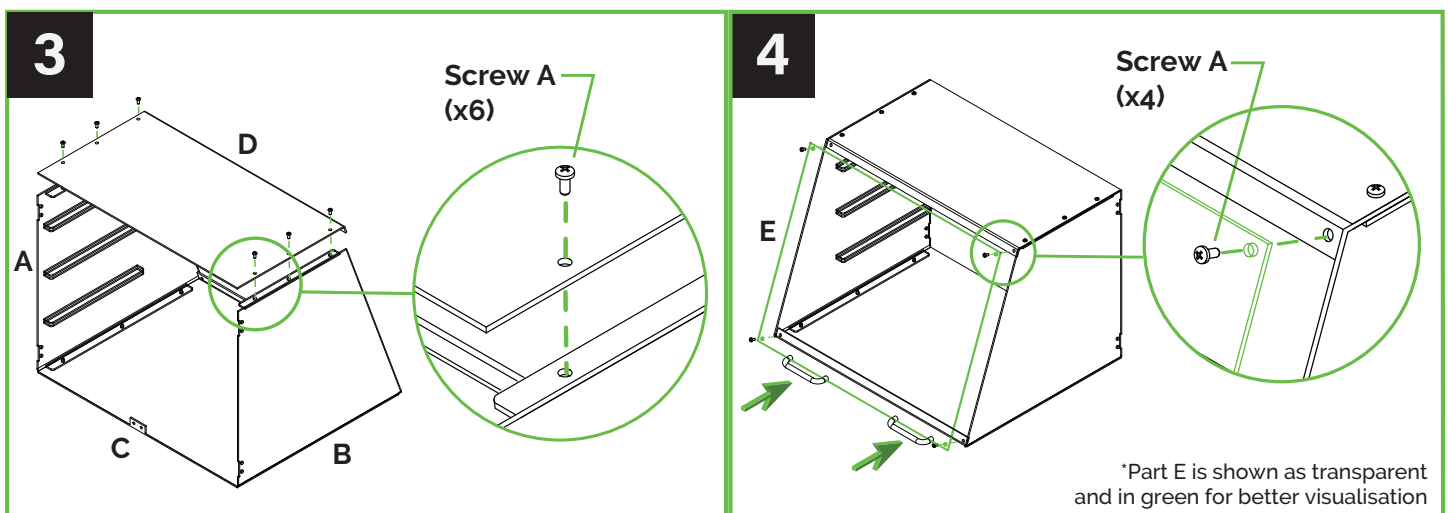


Steps



Screw Part A into Part C using Screw A (x3). Ensure that Part C is sitting on top.

Repeat Step 1 by fixing Part B to the other set of holes on Part C.



Flip the unit with Part C sitting on the base. Sit Part D on the edges of both Part A and Part B. Fix in place with Screw A (x6).

Turn the unit around. Using Screw A (x4), fix Part E into the four holes on the folded edges.

Tip: Place the Handles (x2) next to the lip of Part C to help align the holes of Part E to the unit.

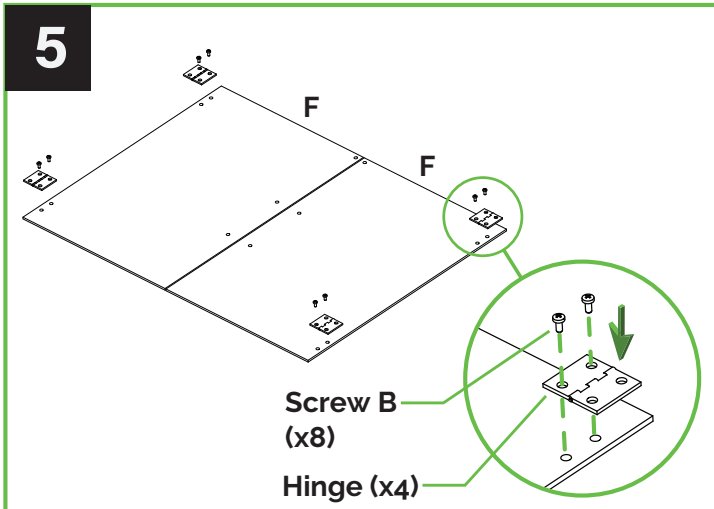
*Part E is shown as transparent and in green for better visualisation

Pastry Case

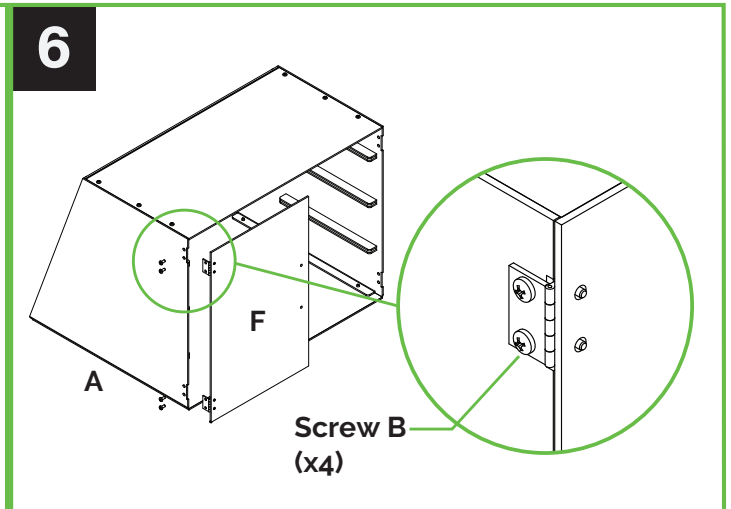
Assembly Instructions

NowCooks

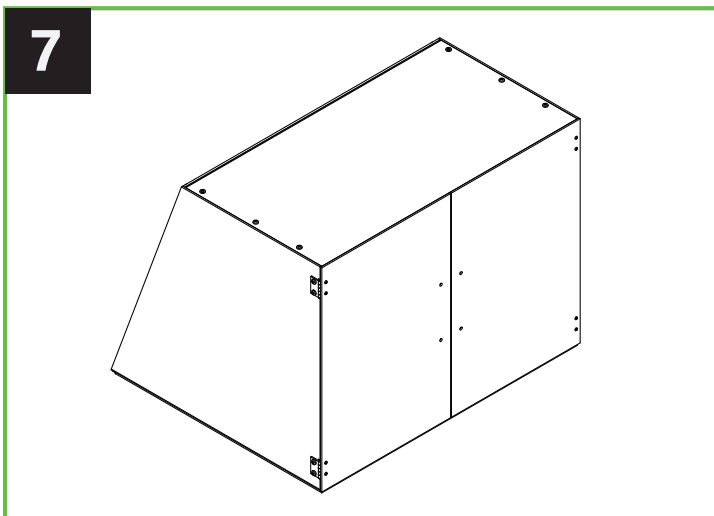
Steps (continued)



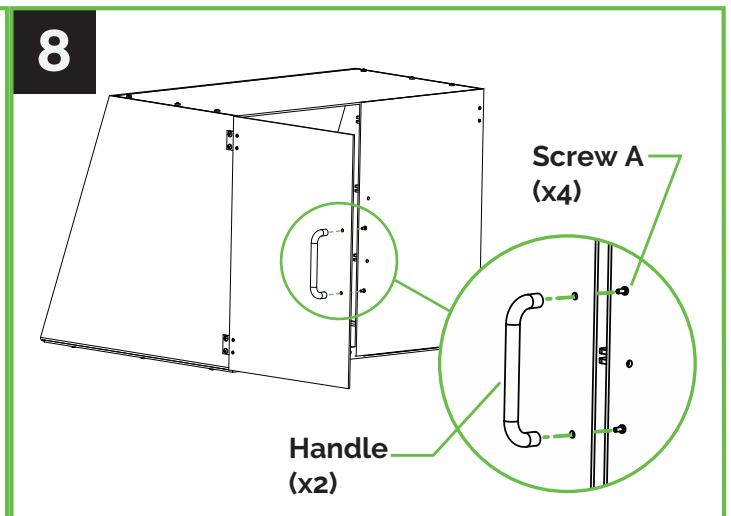
Take both Part F panels and screw one side of the Hinge (x4) to the holes indicated using Screw B (x8).



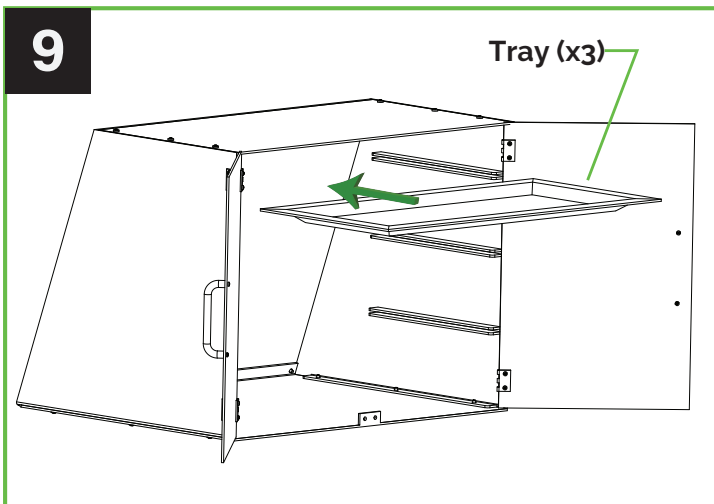
Take one Part F panel and Screw B (x4) the other end of the Hinges to Part B. Ensure this hinge end is **sitting on the outside of Part B**.



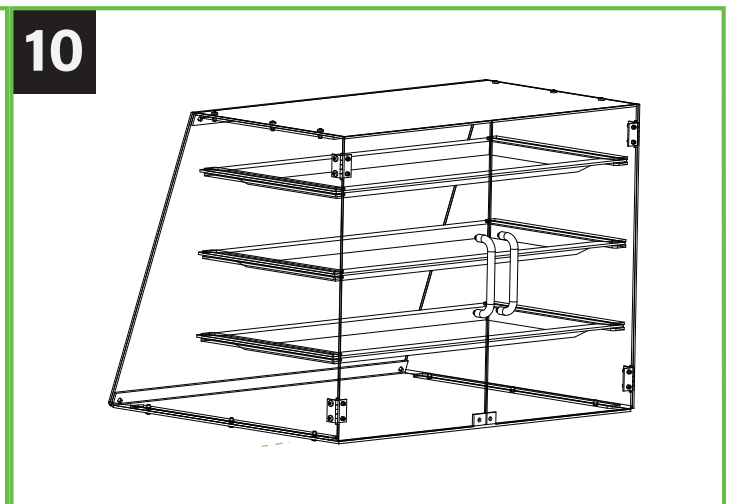
Repeat Step 6 for the other two Hinges for the second Part F panel.



Open up one of the panels and fix the Handle to the holes as indicated using Screw A (x4).



Slide in Tray (x1) into the first slot to make sure it slides in smoothly. Next, slide in the remaining Trays (x2)



Your Pastry Case is now ready for use!